

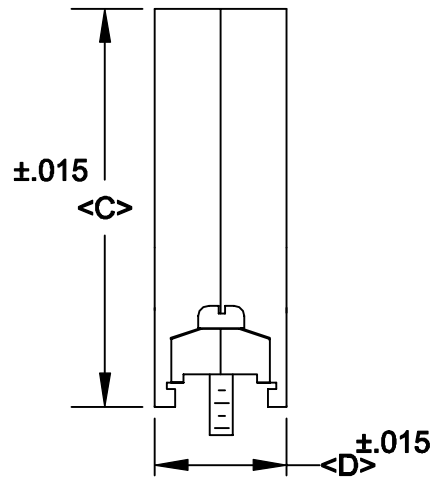
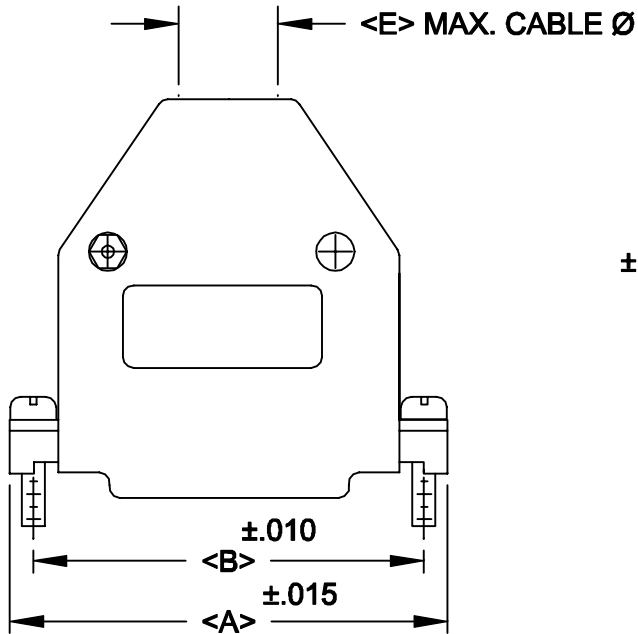
DESCRIPTION: **979 SERIES D-SUB BACKSHELL**

979-XXX-XXX-XX1

**BACKSHELL KIT INCLUDES:**

- (2) BACKSHELL HALVES
- (2) 4-40 MATING SCREW
- (2) SADDLE WASHERS
- (2) HOUSING SCREWS
- (2) HOUSING NUTS
- (1) GROMMET TREE - VARIOUS SIZES  
(NON-CONDUCTIVE GROMMETS)

SERIES \_\_\_\_\_  
 POSITIONS \_\_\_\_\_  
 009  
 015  
 025  
 037  
 050  
 MATERIAL \_\_\_\_\_  
 010 = PLASTIC  
 COLOR: \_\_\_\_\_  
 3 = GREY  
 PUT-UPS \_\_\_\_\_  
 1 = KIT



POS.	A	B	C	D	E
9	1.232	.984	1.913	.656	.354
	31.28	24.99	48.60	16.66	9.00
15	1.555	1.312	1.895	.669	3.74
	39.50	33.32	48.13	17.00	9.50
25	2.100	1.852	1.900	.655	.397
	53.34	47.04	48.26	16.64	10.00
37	2.748	2.500	1.900	.655	.512
	69.80	63.50	48.26	16.64	13.00
50	2.697	2.406	1.900	.770	.512
	68.50	61.11	48.26	19.56	13.00

**MATERIAL: ABS HIGH TEMP. PLASTIC - UL 94HB**

	THESE DRAWINGS AND SPECIFICATIONS ARE THE PROPERTY OF NorComp AND SHALL NOT BE REPRODUCED, COPIED OR USED AS THE BASIS FOR THE MANUFACTURE OR SALE OF APPARATUS WITHOUT WRITTEN PERMISSION.		DRAWN: <b>PAM JENKINS</b>	DATE: <b>12-13-01</b>	
				CHECKED	DATE:
<h1>NorComp</h1>		SCALE	SHEET	OF	REV
		DWG NO. <b>979-XXX-010-031</b>			<b>1</b>